

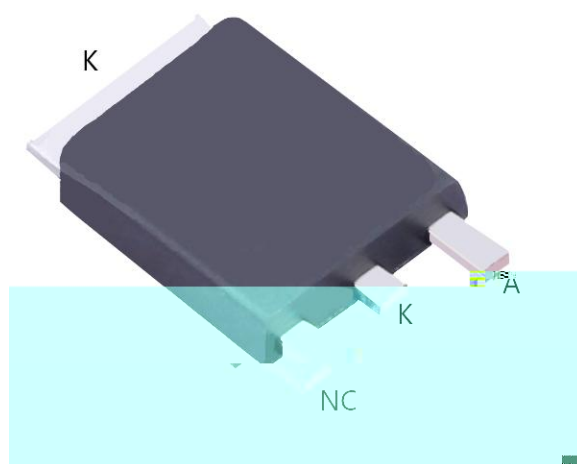
A

● B  
●  
●

●  
●  
●  
●  
●  
●  
●  
●  
●  
●

CC C

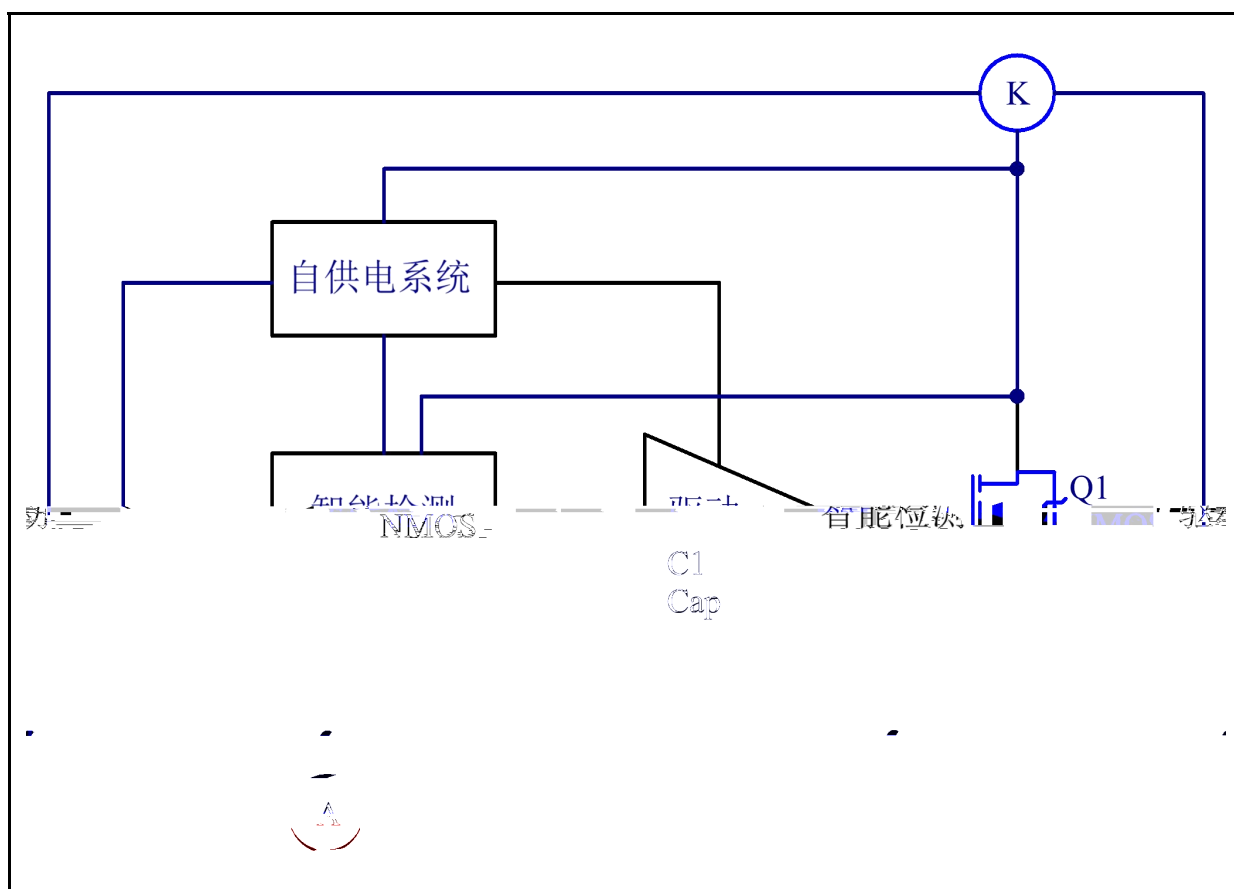
C



	C	
	A	

DK V R SL	- VAC	V, . A

A

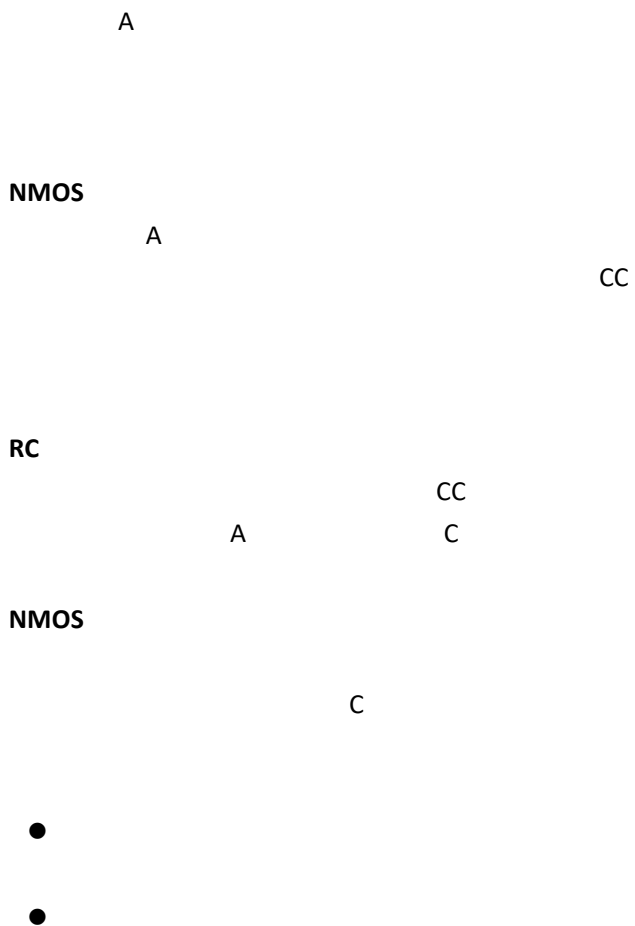


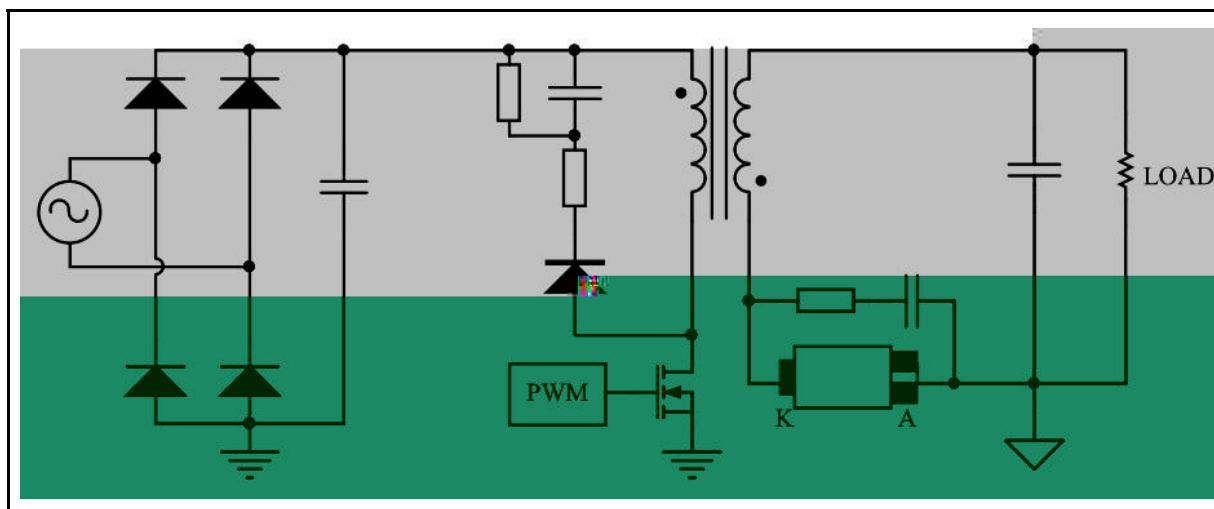
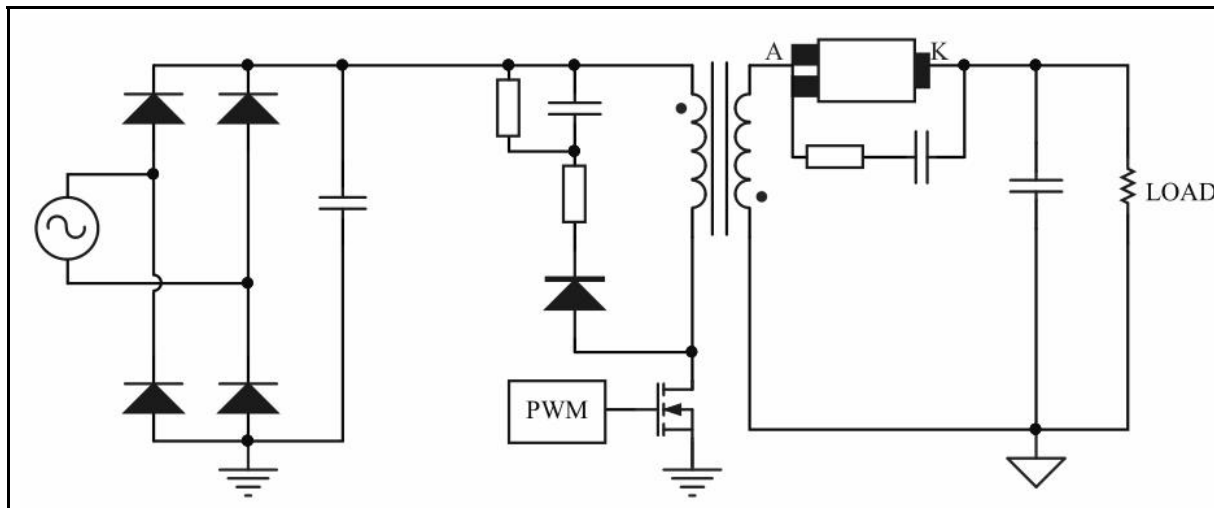
	B				
	C C				A
	C				A
	A				
	A				
	C				
B			±		
			±		

A


	CC					
	CC					
	<b>&amp;</b>					
	A					
	A					
<b>NMOS</b>						

A







 <p><b>WARNING!</b> ESD SENSITIVE DEVICE</p>	ESD
-------------------------------------------------------------------------------------------------------------------------------------	-----

- 
- 
- 
- 
- 
- 
- 
  
-