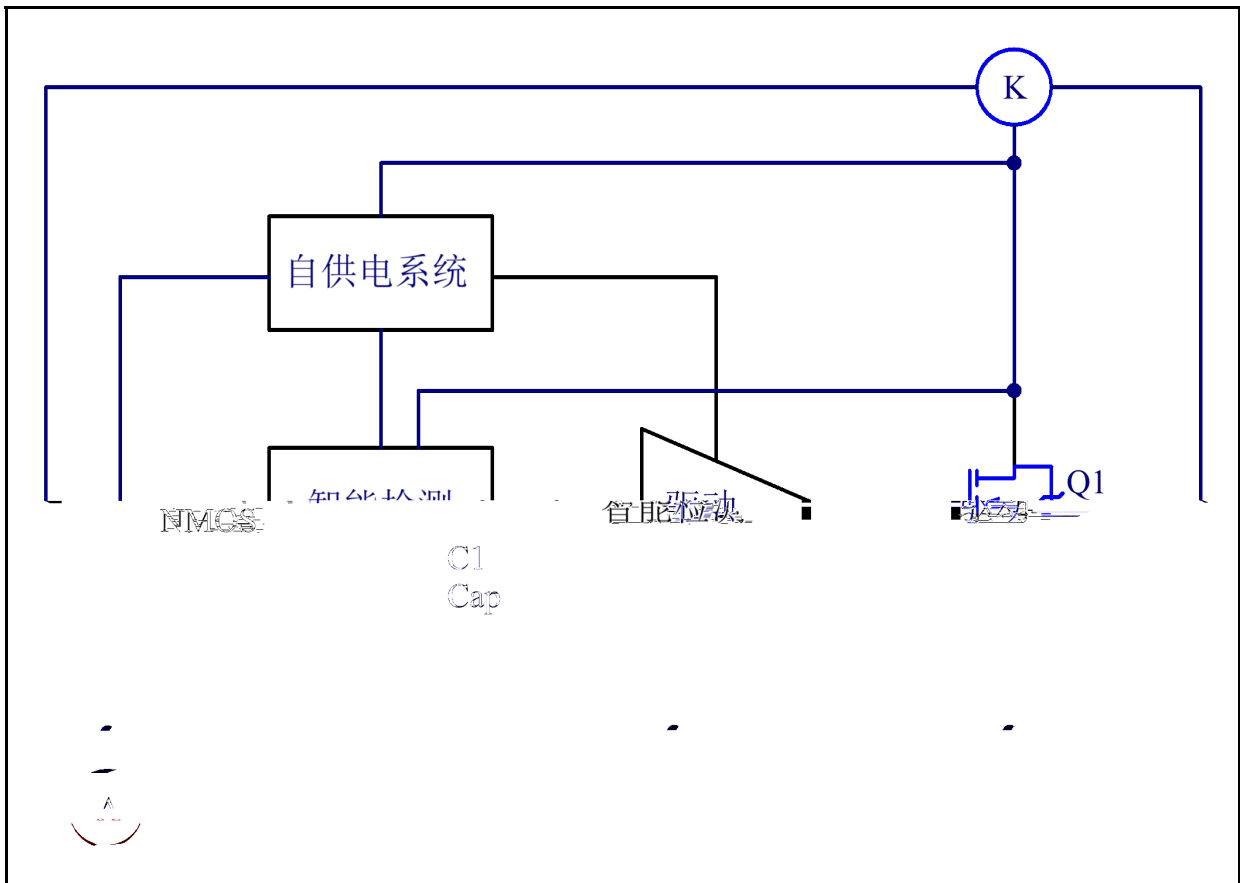




DK5V60R20S

DK5V60R20S	85-265VAC	9V, 2.4A





DK5V60R20S

&						
NMOS						



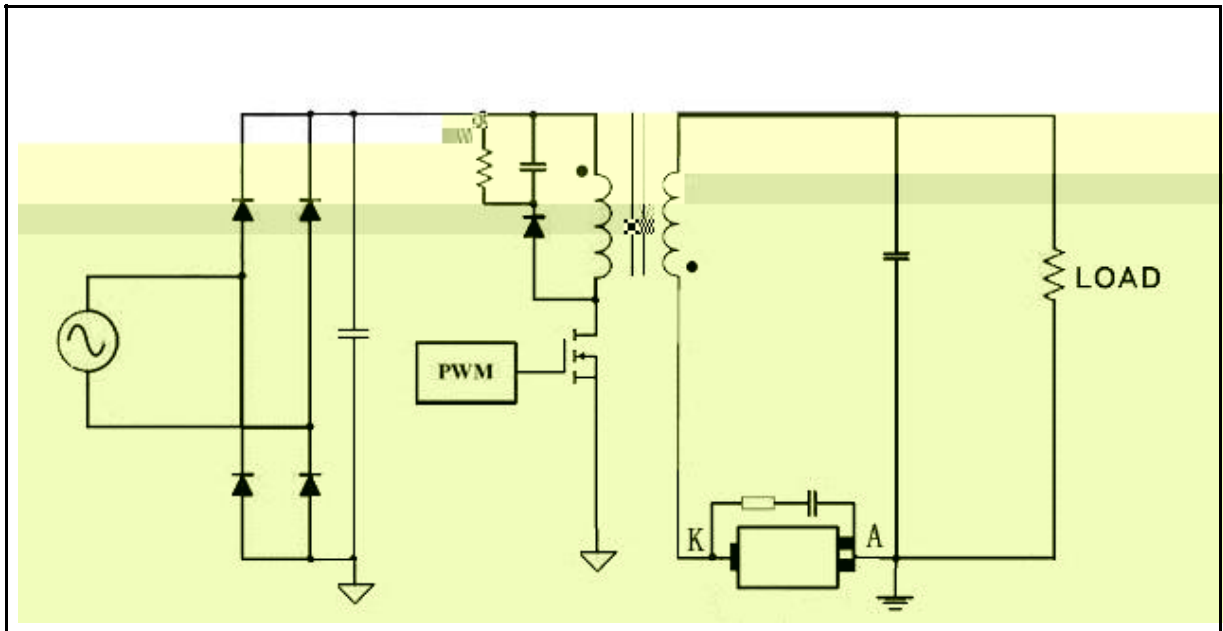
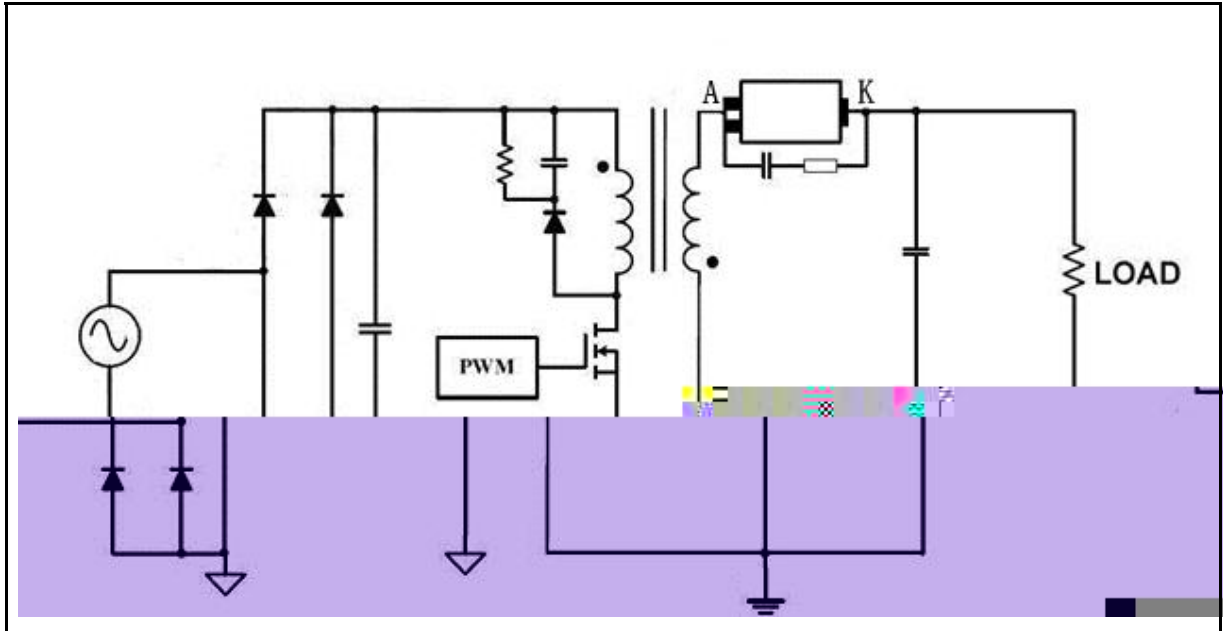
NMOS

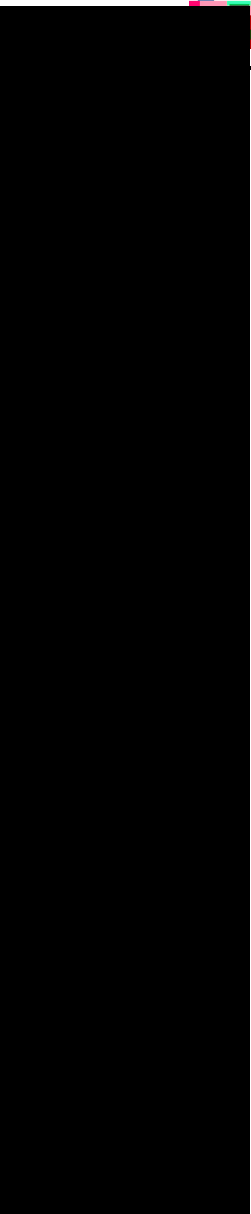
RC

NMOS

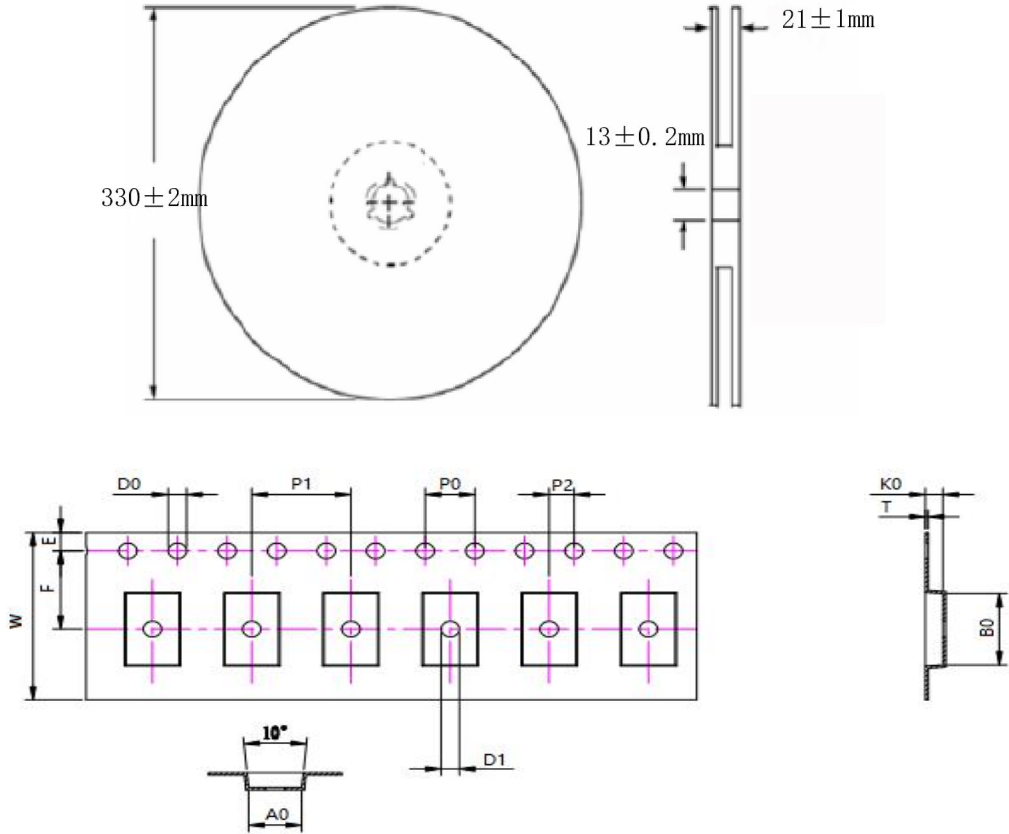
●

●

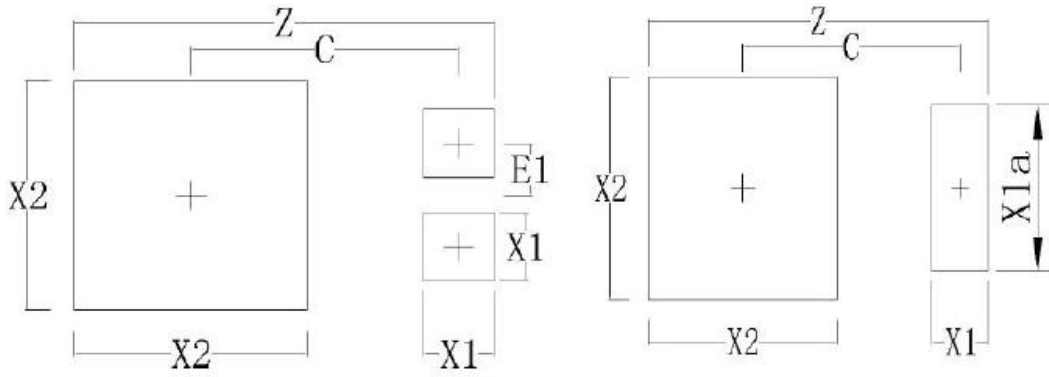




S



Symbol	SPEC(mm)



Symbol	Dimensions In Millimeters



-
-
-
-
-
-
-

-