

SB4040S 40A SCRs

FEATURES

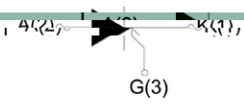
- High thermal conductivity performance
- High voltage capacity
- Very high current surge capability


APPLICATIONS

- Line rectifying 50/60 Hz
- Softstart AC motor control
- DC Motor control
- Power converter
- AC power control
- Lighting and temperature control


Parameters Summary

V_{DRM}:1200/1600V I_{TSM}:40A I_{GT}:40mA

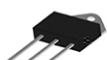




TO-220A
Insulated



TO-220C
Insulated



TO-3P
Insulated



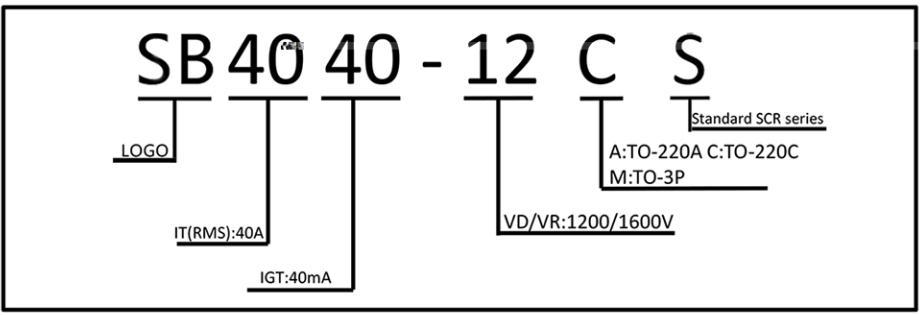
ABSOLUTE MAXIMUM RATINGS			
Parameter	Symbol	Value	Unit
Storage junction temperature range	T _{stg}	-40 ~ 150	°C
Operating junction temperature range	T _j	-40 ~ 125	°C
Repetitive peak off-state voltage	V _{DRM}	1200/1600	V
Repetitive peak reverse voltage	V _{RRM}	1200/1600	V
Non repetitive surge peak Off-state voltage	V _{DSM}	V _{DRM} + 100	V
Non repetitive peak reverse voltage	V _{RSM}	V _{RRM} + 100	V
Non repetitive surge peak on-state current	I _{TSM}	40	A
RMS on-state current (180° conduction angle)	I _{T(RMS)}	40	A
Average on-state current (180° conduction angle)	I _{T(AV)}	25	A
I ² t value for fusing (tp=10ms)	I ² t	880	A ² S
Critical rate of rise of on-state current (I = 2×I _{GT} , tr ≤ 100 ns)	di/dt	150	A/μS
Peak gate current	I _{GM}	4	A
Peak gate power	PGM	5	W

Thermal Resistances			
Symbol	Parameter	Value	Unit
R _{th(j-c)}	Junction to case (DC)	TO-220A	1.2
		TO-220C	0.8
		TO-3P	0.7

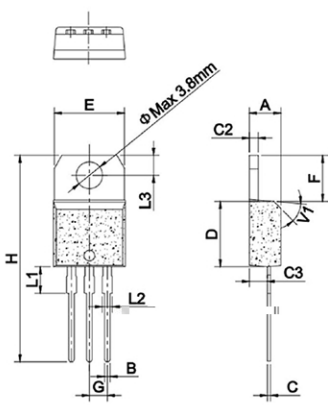
Symbol	Parameter
V_{RRM}	$V_{DRM} = 1200V$
$I_{T(RMS)}$	$I_{T(RMS)} = 40A$
$I_{T(CT)}$	$I_{T(CT)} = 1.2I_{T(RMS)}$
$I_{T(VM)}$	$I_{T(VM)} = 0.5A$
t_{TM}	$t_{TM} = 380\mu s$

Symbol	Parameter
V_{RRM}	$V_{DRM} = 1200V$
$I_{T(RMS)}$	$I_{T(RMS)} = 40A$
$I_{T(CT)}$	$I_{T(CT)} = 1.2I_{T(RMS)}$
$I_{T(VM)}$	$I_{T(VM)} = 0.5A$
t_{TM}	$t_{TM} = 380\mu s$

Ordering Information Scheme

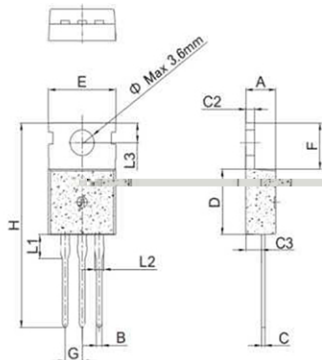


TO-220A Package Mechanical Data



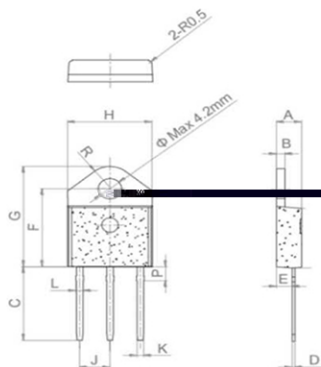
Dimension	Inches
A	0.175
B	0.104
C	0.104
D	0.330
E	0.406
F	0.276
G	0.110

TO-220C Package Mechanical Data



Ref.	Dimensions					
	Millimeters			Inches		
	Min.	Typ.	Max.	Min.	Typ.	Max.
A	4.40		4.60	0.173		0.181
B	0.70		0.90	0.028		0.035
C	0.45		0.60	0.018		0.024
C2	1.30		1.50	0.051		0.059
C3	2.20		2.60	0.087		0.102
D	9.90		10.3	0.390		0.406
E	9.90		10.3	0.390		0.406
F	6.30		6.90	0.248		0.272
G		2.54		0.1		
H	28.0		29.8	1.102		1.173
L1		3.39		0.133		
L2	1.14		1.70	0.045		0.067
L3	2.65		2.95	0.104		0.116
e		3.6		0.142		

TO-3P Package Mechanical Data



Ref.	Dimensions					
	Millimeters			Inches		
	Min.	Typ.	Max.	Min.	Typ.	Max.
A	4.40		4.60	0.173		0.181
B	1.40		1.60	0.055		0.062
C	15.48		15.88	0.609		0.625
C2	0.50		0.70	0.019		0.027
C3	2.70		2.90	0.106		0.114
D	15.92		16.92	0.626		0.666
E	20.27		20.67	0.798		0.819
F	15.15		15.35	0.590		0.604
G		5.45		0.214		0.216
H	1.10		1.30	0.043		0.051
L1	1.15		1.35	0.045		0.053
L2	2.68		3.08	0.105		0.121
L3		4.20		0.165		
e	4.40		4.60	0.173		0.181

FIG.1 Maximum power dissipation versus on-state current.

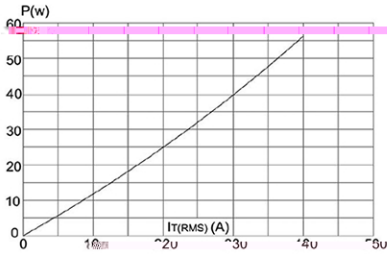


FIG.2: on-state current versus case temperature.

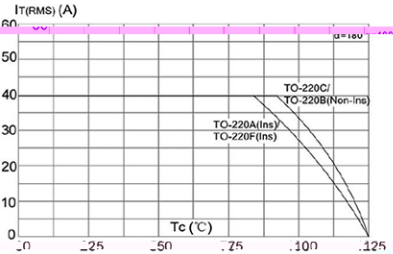


FIG.3: Surge peak on-state current versus number of cycles

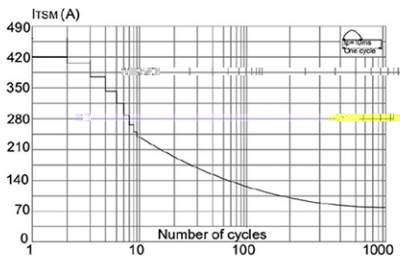


FIG.4: On-state characteristics (maximum values)

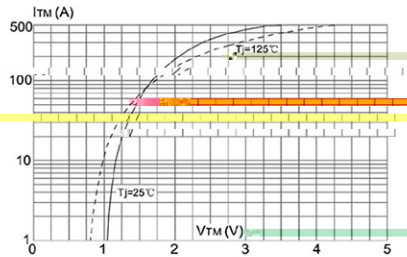


FIG.5: Non-repetitive surge peak on-state current for a sinusoidal pulse with width $t_p < 10\text{ms}$, and corresponding value of $I_2 t (di/dt < 50\text{A}/\mu\text{s})$

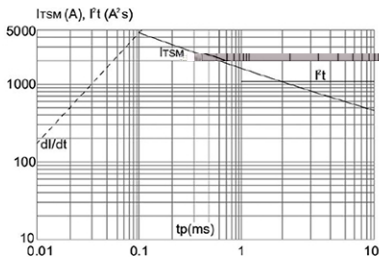


FIG.6: Relative variations of gate trigger current, holding current and latching current versus junction temperature

