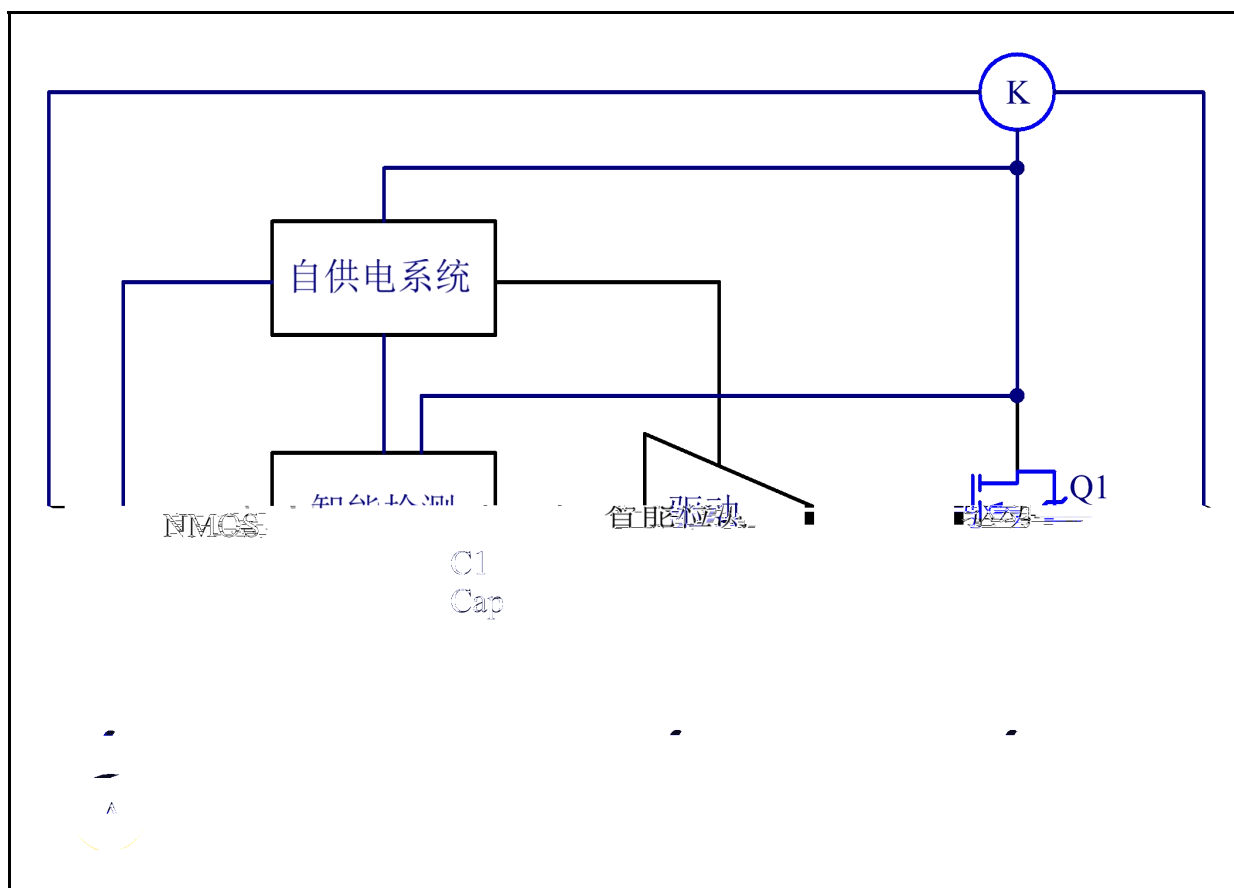




DK5V60R20S	85-265VAC	9V, 2.4A




&						
<b>NMOS</b>						

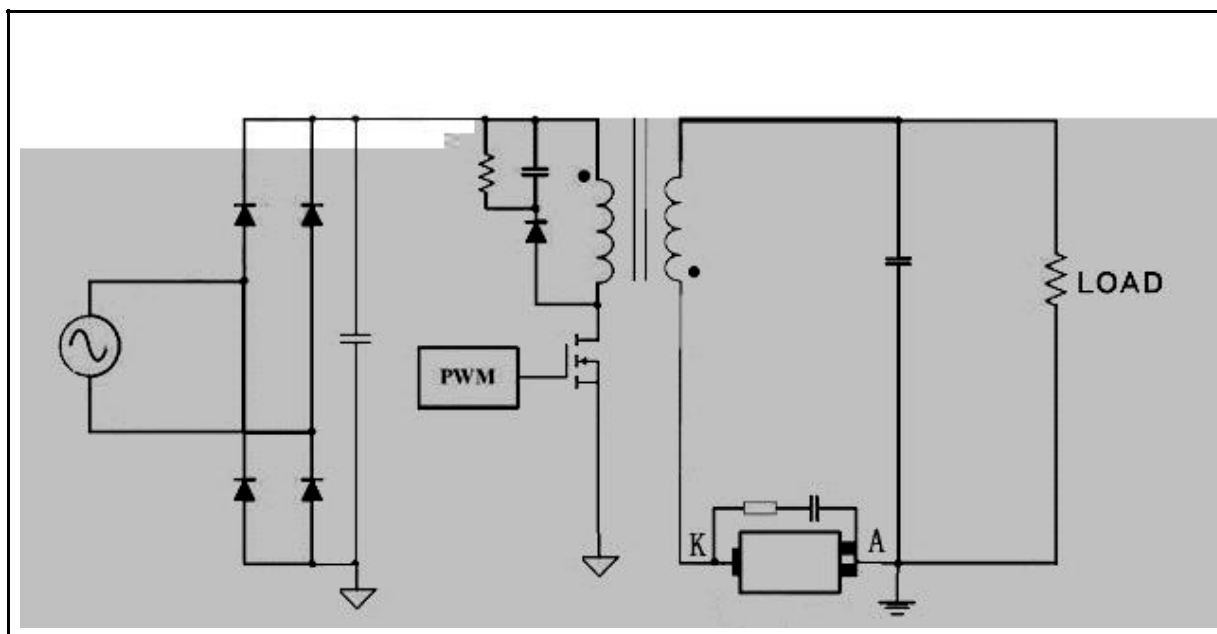
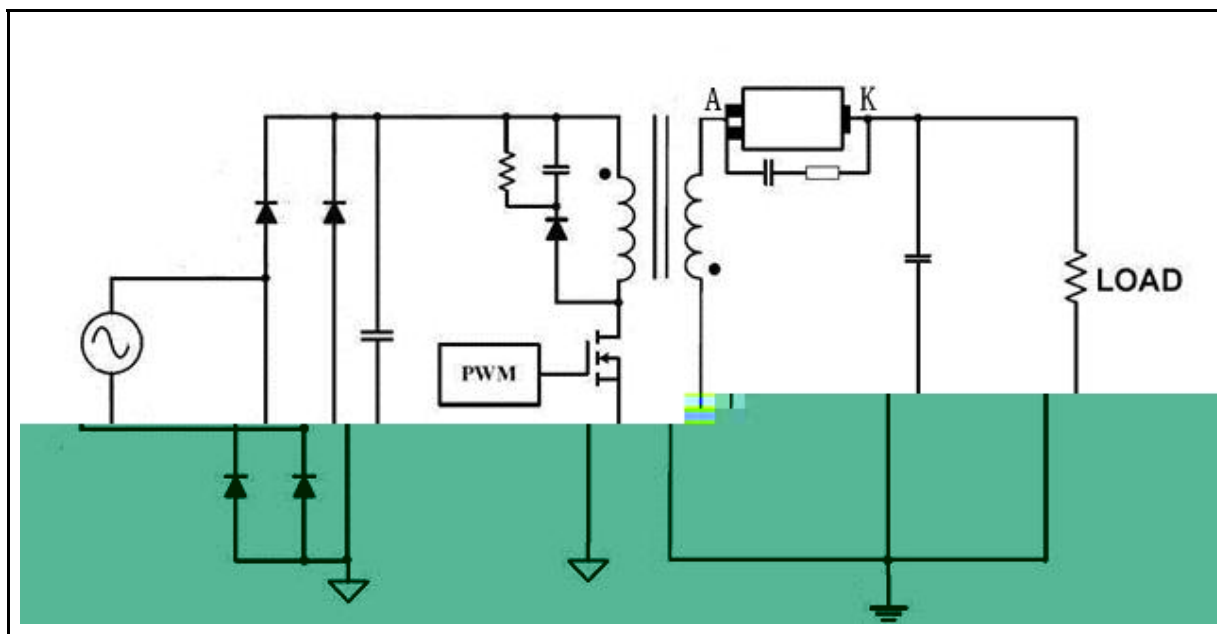
NMOS

RC

NMOS

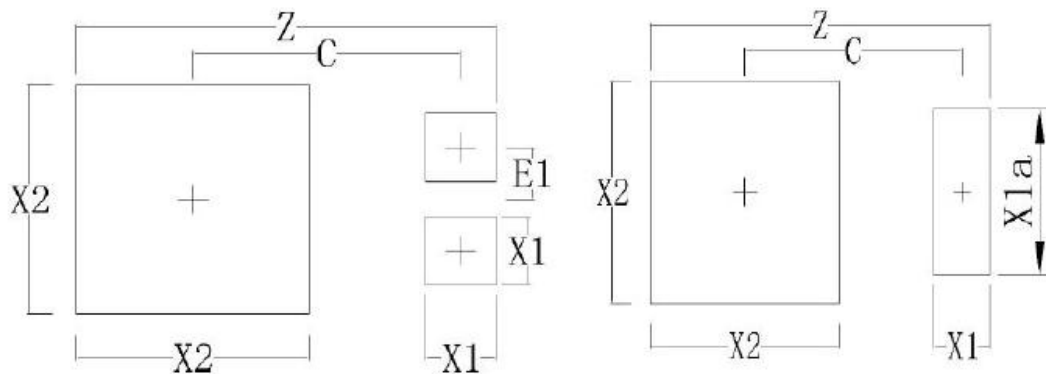
●

●









Symbol	Dimensions In Millimeters





- 
- 
- 
- 
- 
- 
- 
  
-